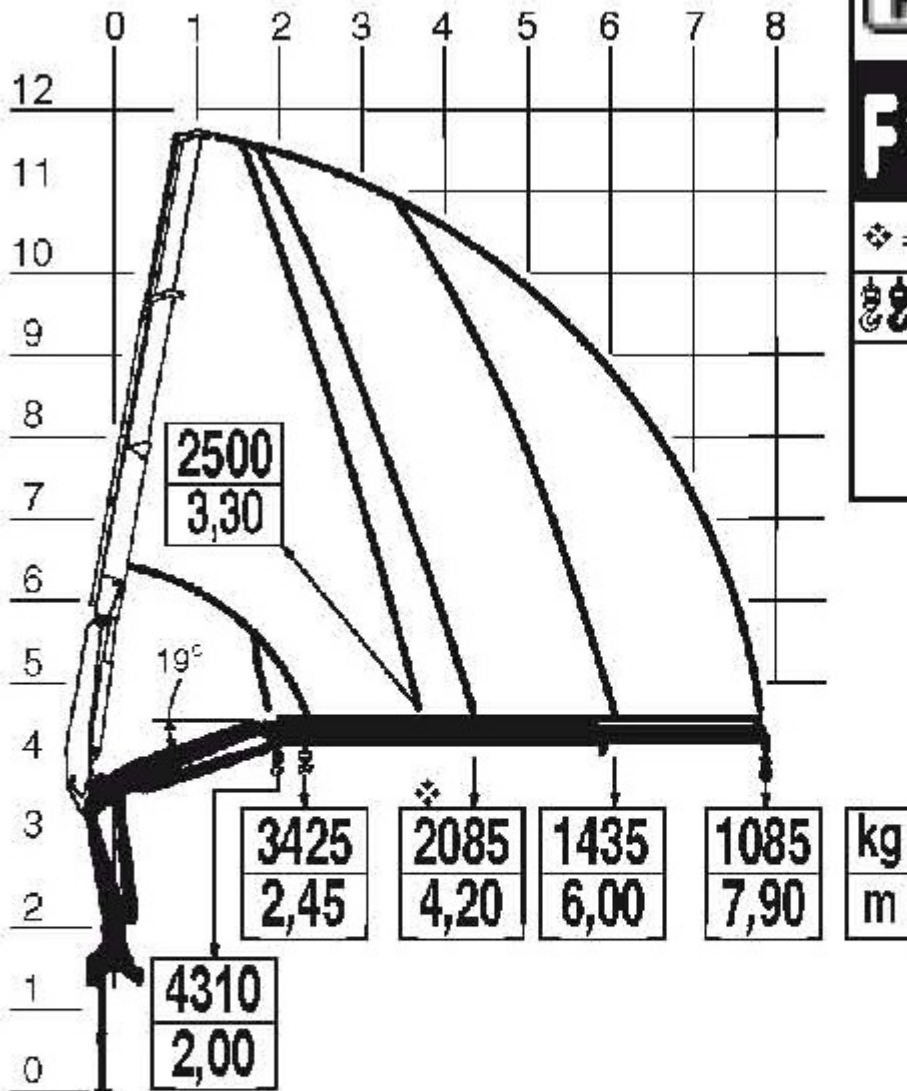
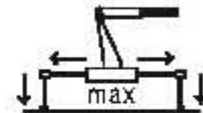


FASSI

F95A.0.22

⊠ = Mmax 86 kNm

⊗ = Pmax 4310 kg



kg M (56) N (45) P (30)

DE 9660